

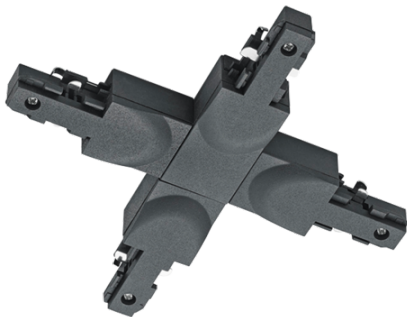
LEYTON

Product Data Sheet

X Connector - Matt Black

Part No: **702432**

- Connects two tracks together at right angles to each other
- Wall and ceiling mountable
- IP20
- Plastic



Technical Specification

Part No	702432
Finish	Matt Black
IP Rating	20
Length	160
Width	20
Depth	170

Material / Made From

Metal

EAN

4017807470604