

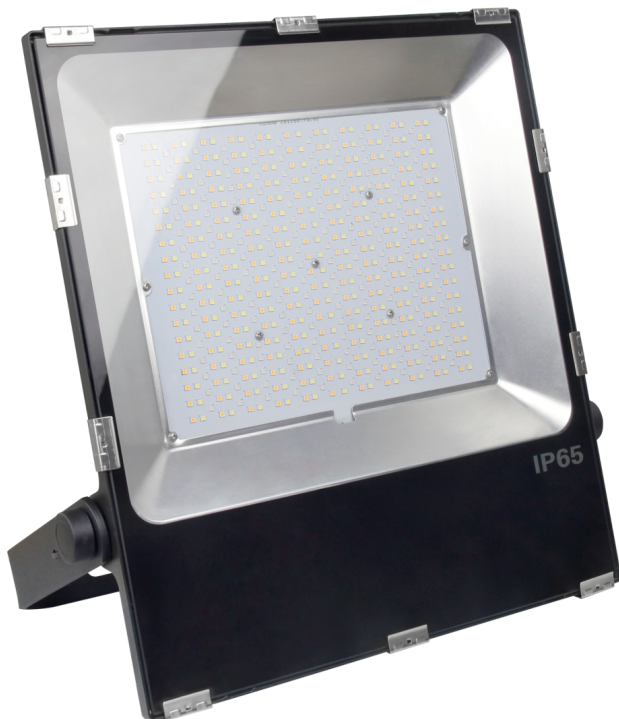
LEYTON

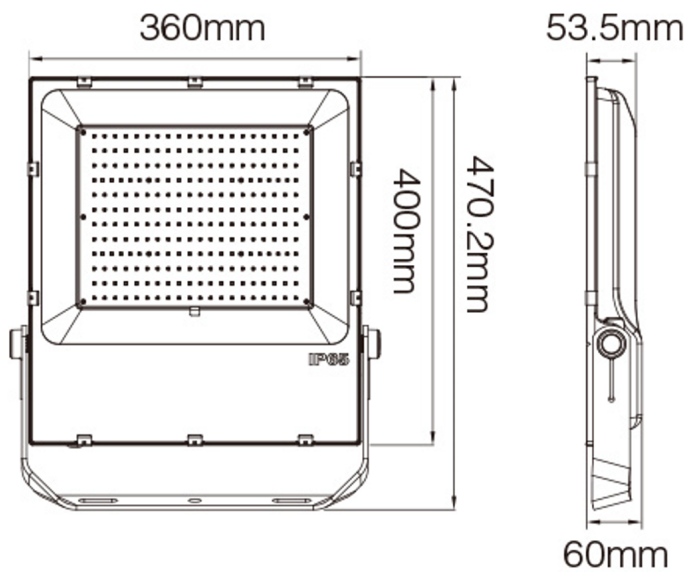
Product Data Sheet

200W RGB+CT RF/APP Control Floodlight

Part No: **WF-RGBCT-200W**

- RGB+CT 2700-6500k
- RF remote control / APP control with gateway (sold separately)
- 160 degree
- 30mtr Auto signal transmitting / Modes synchronization
- Adjustable head
- Comes with 0.9 metre input lead





Technical Specification

Part No	WF-RGBCT-200W
Finish	Black
Colour Temperature	RGB+2700-6500k
CCT	RGB+CT
Voltage	240
Finish	Black
Wattage	200
Lumens	18,400
IP Rating	65
Lamp Holder	Integrated LED
Connector Type	Bare End
Length	400
Width	360
Depth	60
Material / Made From	Metal

EAN

5055530833289