

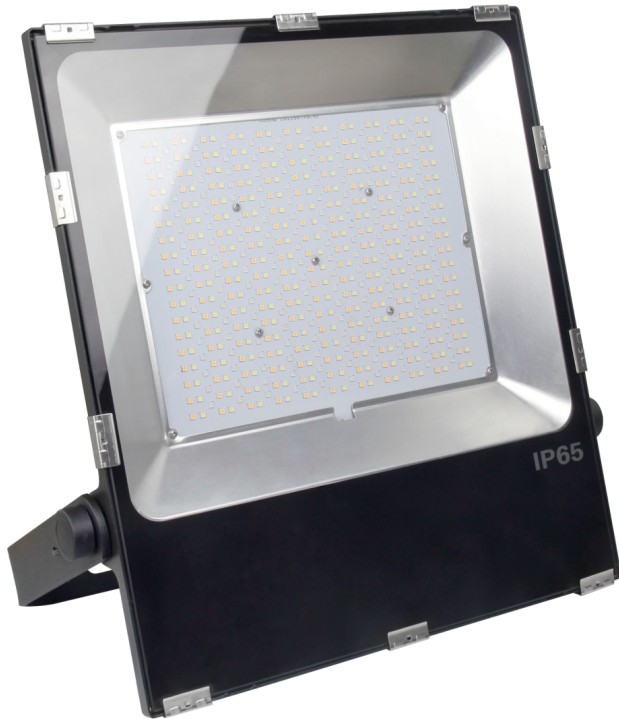
LEYTON

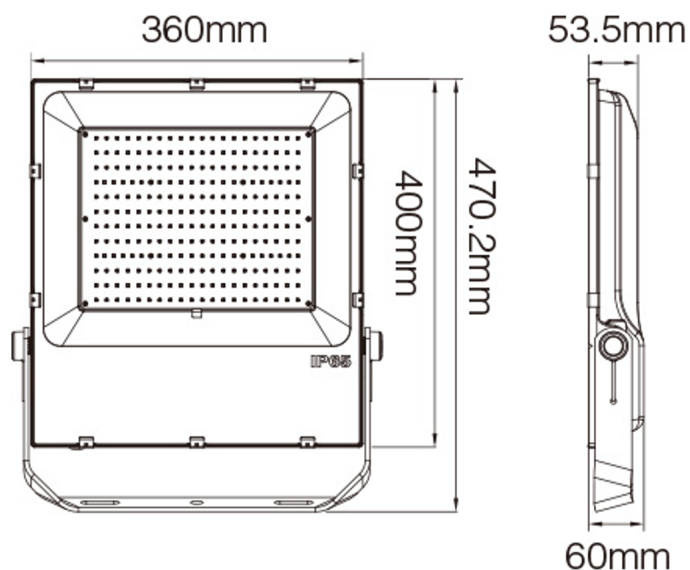
Product Data Sheet

200W RGB+CCT RF/APP Control Floodlight

Part No: **SF-WF-RGBCT-200W**

- RGB+CCT 2700-6500k
- RF remote control / APP control with gateway (sold separately)
- 160 degree
- 30mtr Auto signal transmitting / Modes synchronization
- Adjustable head
- Comes with 0.9 metre input lead





Technical Specification

Part No	SF-WF-RGBCT-200W
Finish	Black
Voltage	240
Wattage	200
Lumens	18,400
CCT	RGB+CCT
Colour Temperature	RGB+2700-6500k
Beam Angle	160 degree
IP Rating	65
Connector Type	Bare End
Width	360
Length	400
Depth	60
Class 1 or 2 or 3	I
Material / Made From	Metal

Unit of sale

1

Price

each