

# LEYTON

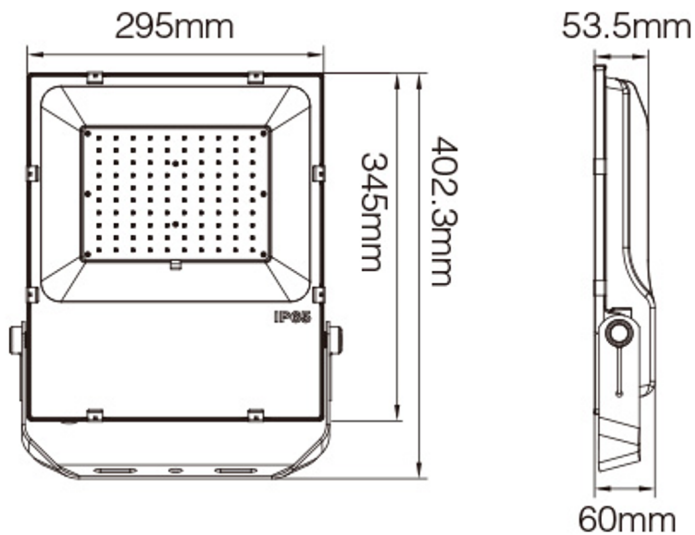
## Product Data Sheet

### 100W RGB+CT RF/APP Control Floodlight

Part No: **WF-RGBCT-100W**

- RGB+CT 2700-6500k
- RF remote control / APP control with gateway (sold separately)
- 160 degree
- 30mtr Auto signal transmitting / Modes synchronization
- Adjustable head
- Comes with 0.9 metre input lead





## Technical Specification

<b>Part No</b>	<b>WF-RGBCT-100W</b>
<b>Finish</b>	Black
<b>Colour Temperature</b>	RGB+2700-6500k
<b>CCT</b>	RGB+CT
<b>Voltage</b>	240
<b>Finish</b>	Black
<b>Wattage</b>	100
<b>Lumens</b>	10,000
<b>IP Rating</b>	65
<b>Lamp Holder</b>	Integrated LED
<b>Connector Type</b>	Bare End
<b>Length</b>	345
<b>Width</b>	295
<b>Depth</b>	60
<b>Class 1 or 2 or 3</b>	I

**Material / Made From**

Metal

**EAN**

5055530833272